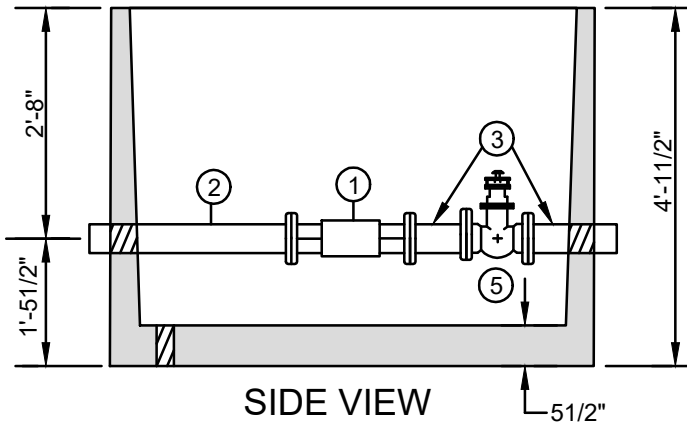
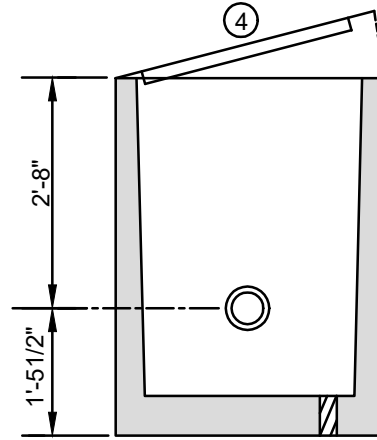


TOP VIEW



SIDE VIEW



END VIEW

1. SENSUS OMNI C2 10 USG WITH ITRON.
ERW-1300-403 (1)
LDS-0002-002 (1)
CFG-0900-003 (1)
2. 3" - 4" FLG X PE 6'-0"
3. 3" - 4" FLG X 2.75'
4. HALLIDAY S1R029059CD 29" X 59" ALUMINUM HATCH
5. 3" - 4" GATE VALVE

SPECIFICATIONS:

Concrete: 5,000 psi min. strength (28 day)
Pipe Penetrations: All pipe penetrations are placed according to job requirements.

DRAWING NOT TO SCALE

JULY 17, 2019

DRAWN BY: VHS
APPROVED BY: VHS

**3" & 4" DOMESTIC WATER
METER ASSEMBLY W/ NO
BYPASS**

STANDARD
DRAWING NO.

W - 7

MURFREESBORO WATER RESOURCES DEPARTMENT