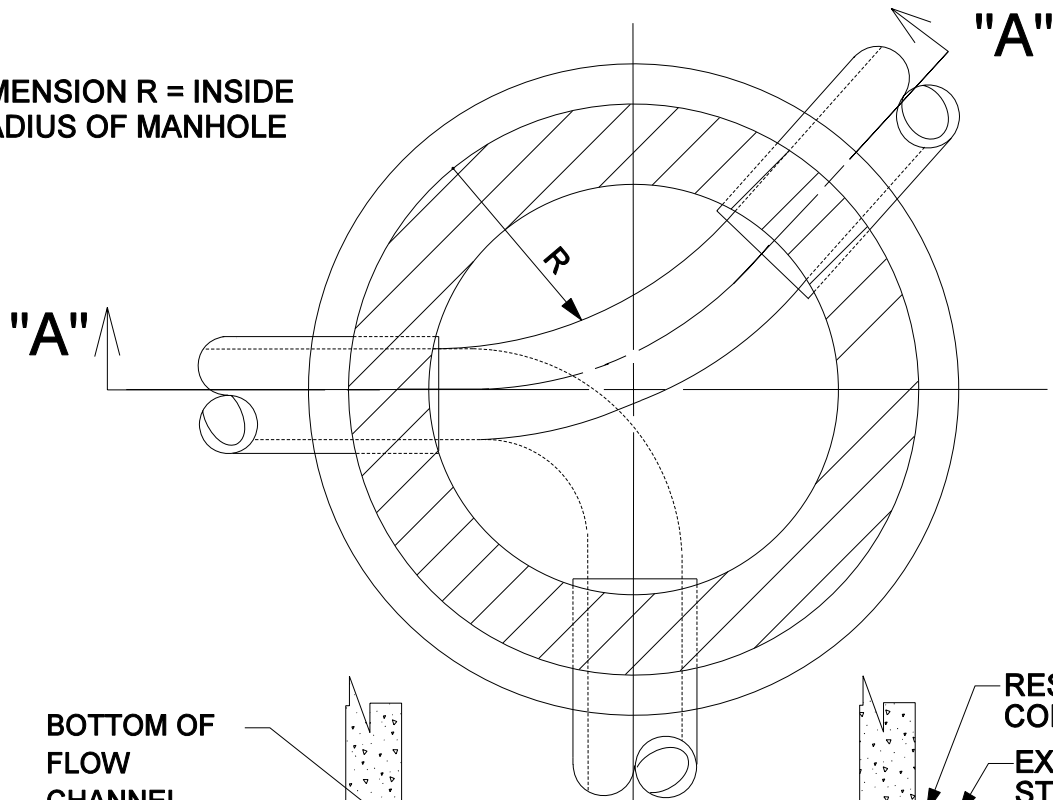


DIMENSION R = INSIDE  
RADIUS OF MANHOLE



PLAN

BOTTOM OF  
FLOW  
CHANNEL

TOP OF BENCH

MANHOLE  
STRUCTURE

BOOT

FLOW

MONOLITHIC  
MANHOLE  
BASE SECTION

1:2 GROUT

RESILIENT PIPE  
CONNECTOR

EXTERNAL STAINLESS  
STEEL BAND

FLOW

FLEXIBLE GASKET OR  
GROUT MATERIAL TO  
SPRING LINE OF PIPE  
(SEE SPECIFICATIONS)

CRUSHED  
STONE  
BEDDING

SECTION "A"- "A"

DRAWING NOT TO SCALE

MAY 27, 1994

DRAWN BY: KMC  
APPROVED BY: VHS  
DATE REVISED: 11/30/05

MANHOLE INVERT  
&  
PIPE AT WALL

STANDARD  
DRAWING NO.  
**S - 4A**

MURFREESBORO WATER & SEWER DEPARTMENT