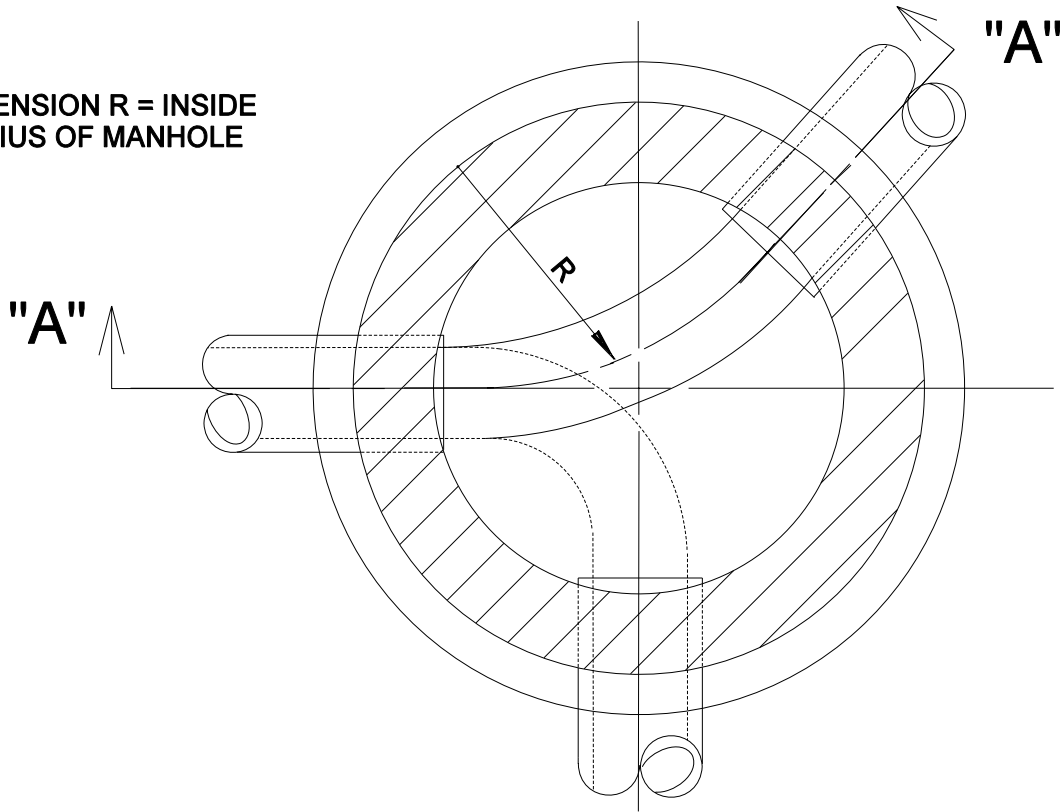
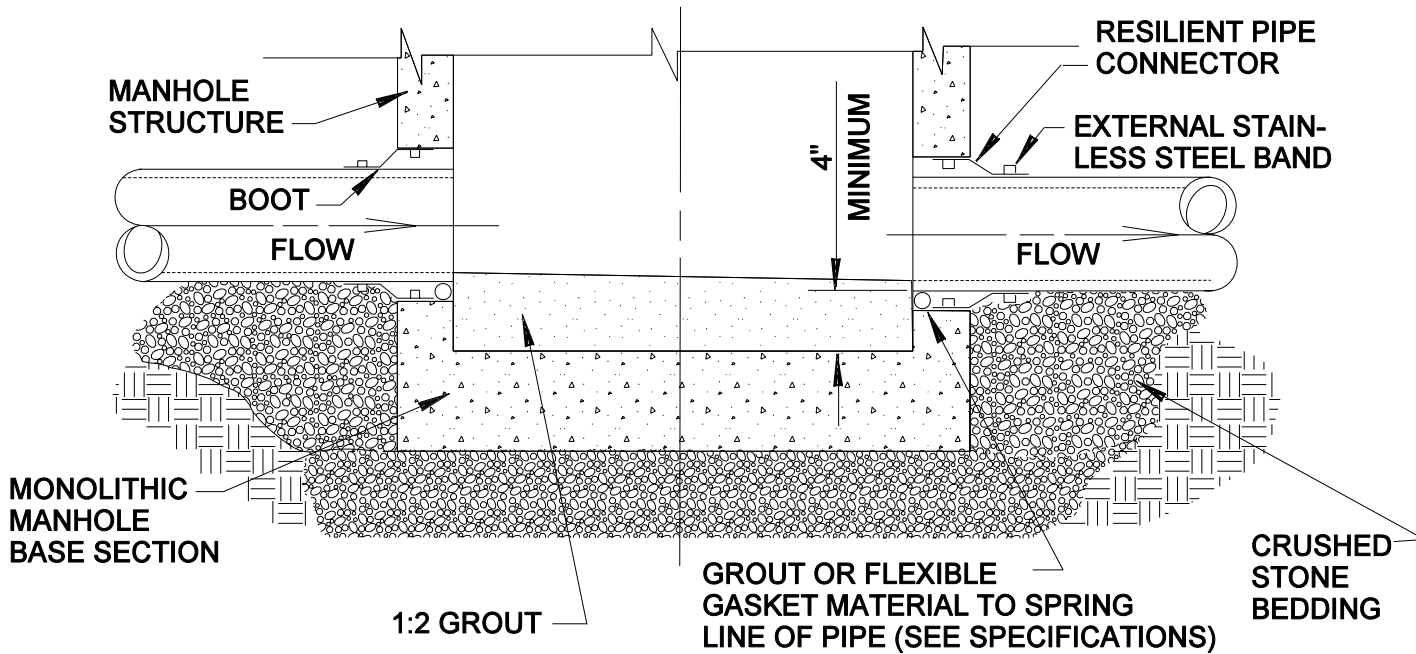


DIMENSION R = INSIDE
RADIUS OF MANHOLE



PLAN



SECTION "A"- "A"

DRAWING NOT TO SCALE

MAY 27, 1994

DRAWN BY: KMC
APPROVED BY: VHS
DATE REVISED: 11/30/05

**MANHOLE INVERT
&
PIPE AT WALL**

STANDARD
DRAWING NO.

S - 4

MURFREESBORO WATER & SEWER DEPARTMENT